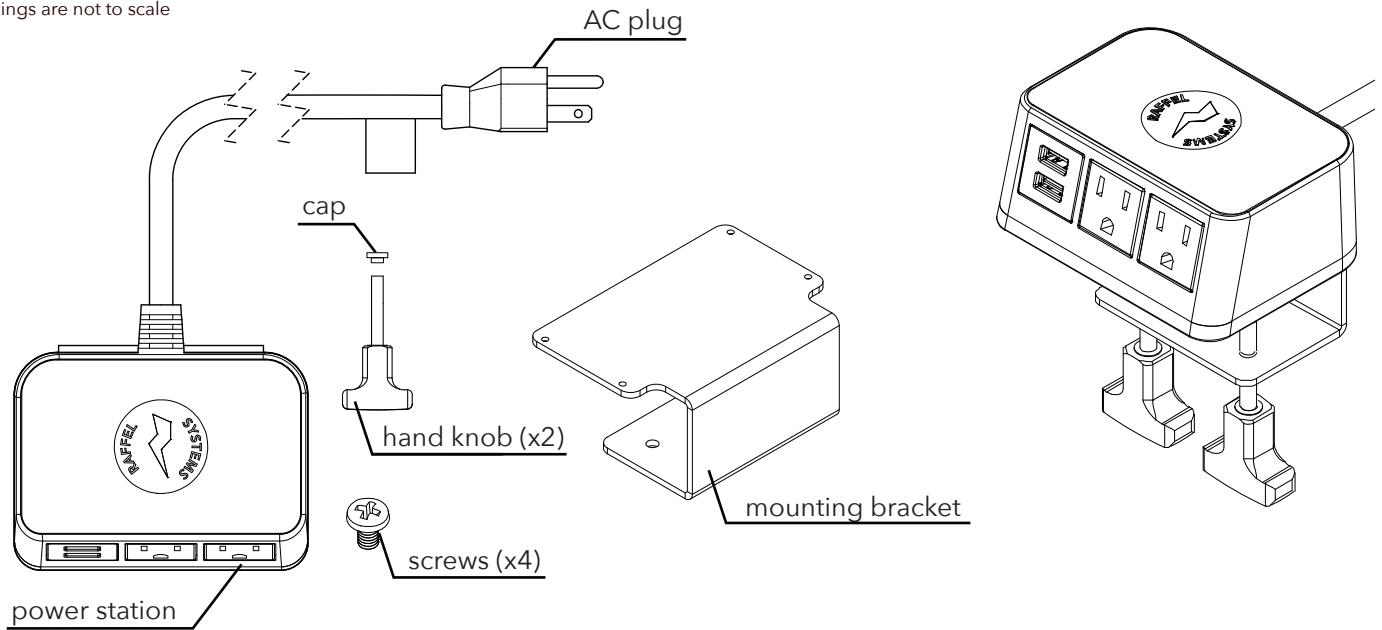


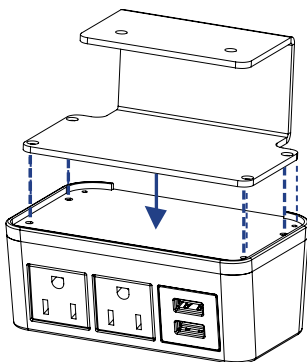
PRODUCT OVERVIEW*

*drawings are not to scale

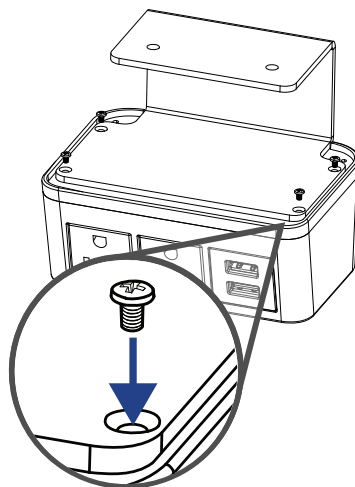


ASSEMBLY INSTRUCTIONS

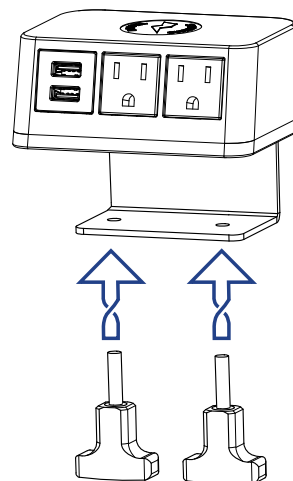
1. Place mounting bracket on bottom of the power station



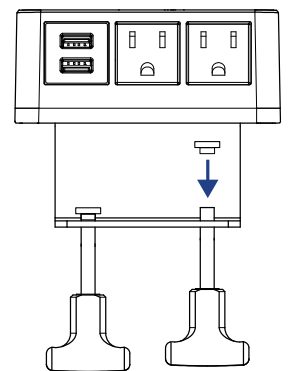
2. Attach mounting bracket with four screws provided



3. Thread hand knobs into mounting bracket

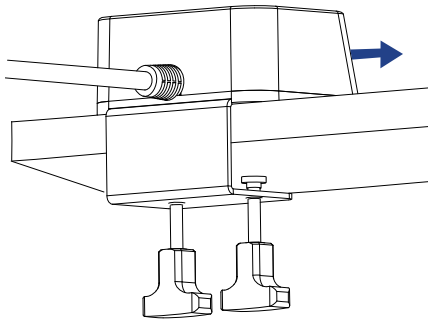


3. Add cap to hand knob top (optional)

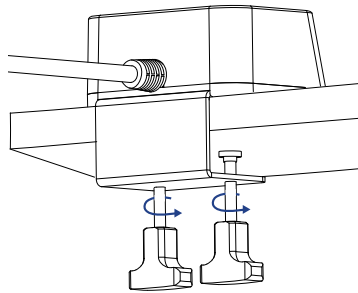


INSTALLATION INSTRUCTIONS

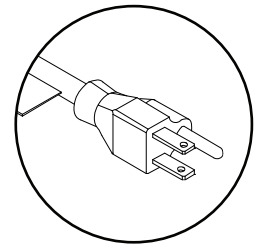
1. Choose an edge mount location for the power station near 120V power source. Slide the power station onto horizontal surface until bracket is flush



2. Twist hand knobs until power station is secured



3. Plug power station into 120V power source



IMPORTANT SAFETY INSTRUCTIONS

WARNING: To reduce risk of injury to persons:

READ INSTRUCTIONS BEFORE OPERATING.
INJURY MAY RESULT FROM IMPROPER USE.
NEVER REMOVE COVERS.

- This appliance should never be left unattended when in operation.
- Unplug appliance from outlet before relocating or troubleshooting.
- Do not connect an extension cord to this unit.
- Close supervision is necessary when this appliance is used by, on, or near children, invalids, or disabled persons.
- Use this appliance only for its intended use as described in the operating instructions.
- Do not use attachments not recommended by the manufacturer.
- Keep all cords away from heated surfaces and pinch points.
- Do not use outdoors. INDOOR USE ONLY.
- Do not use on an infant or on a sleeping or unconscious person.
- Do not use on sensitive skin. Prolonged exposure may have an adverse affect on sensitive skin - Always check the skin in contact with the heated area of the appliance.
- Never operate this appliance if it has a damaged cord or plug, if it is not working properly, if it has been dropped or damaged, or dropped into water. Contact a service center for examination and/or repair.
- To disconnect, turn all controls to the off position, then remove plug from outlet.

DANGER - TO REDUCE RISK OF ELECTRIC SHOCK:

- Do not reach for an appliance that has fallen into water. Unplug immediately.
- Never use pins or other metallic fasteners with this appliance.
- Discard the appliance if the covering shows any sign of deterioration, such as checking, blistering, or cracking.
- Keep dry. Do not operate in a wet or moist environment.

ONE YEAR LIMITED WARRANTY

Raffel Systems warrants its products against all defects in materials and workmanship for a period of one year from the date of purchase, subject to the following terms and conditions:

This warranty applies only for normal use of the product, and shall not be effective for products or parts which do not function properly due to misuse, alteration, installation, accident, negligence, misapplication, modification, improper maintenance or commercial use, or if any product or part has been serviced or repaired by other than Raffel Systems. This warranty extends only to consumers and does not extend to Retailers.

This warranty is effective only if the product is operated in the country in which the product was purchased. A product that requires modifications or adoption to enable it to operate in any other country than the country for which it was designed, manufactured, approved and/or authorized, or repair of products damaged by these modifications is not covered under this warranty.

Liability of Raffel Systems, shall be limited to repair or replacement of any defective product or part, which option shall be the sole decision of Raffel Systems. This warranty is effective only on behalf of the original owner of the product and is not transferable. This warranty is effective only if the user manual instructions have been followed.

THE WARRANTY PROVIDED HEREIN SHALL BE THE SOLE AND EXCLUSIVE WARRANTY. THERE SHALL BE NO OTHER WARRANTIES EXPRESS OR IMPLIED INCLUDING ANY IMPLIED WARRANTY OF MERCHANTABILITY OR FITNESS OR ANY OTHER OBLIGATION ON THE PART OF RAFFEL SYSTEMS WITH RESPECT TO PRODUCTS COVERED BY THIS WARRANTY. RAFFEL SYSTEMS SHALL HAVE NO LIABILITY FOR ANY INCIDENTAL, CONSEQUENTIAL OR SPECIAL DAMAGES. IN NO EVENT SHALL THIS WARRANTY REQUIRE MORE THAN THE REPAIR OR REPLACEMENT OF ANY PART OR PARTS WHICH ARE FOUND TO BE DEFECTIVE WITHIN THE EFFECTIVE PERIOD OF THE WARRANTY. NO REFUNDS WILL BE GIVEN. IF REPLACEMENT PARTS FOR DEFECTIVE MATERIALS ARE NOT AVAILABLE, RAFFEL SYSTEMS RESERVES THE RIGHT TO MAKE PRODUCT SUBSTITUTIONS IN LIEU OF REPAIR OR REPLACEMENT.

To obtain warranty service on this product, mail the product and your dated sales receipt (as proof of purchase), postpaid, to the following address:

Raffel Systems Consumer Relations
N112W14600 Mequon Road
Germantown WI 53022

No COD's will be accepted.